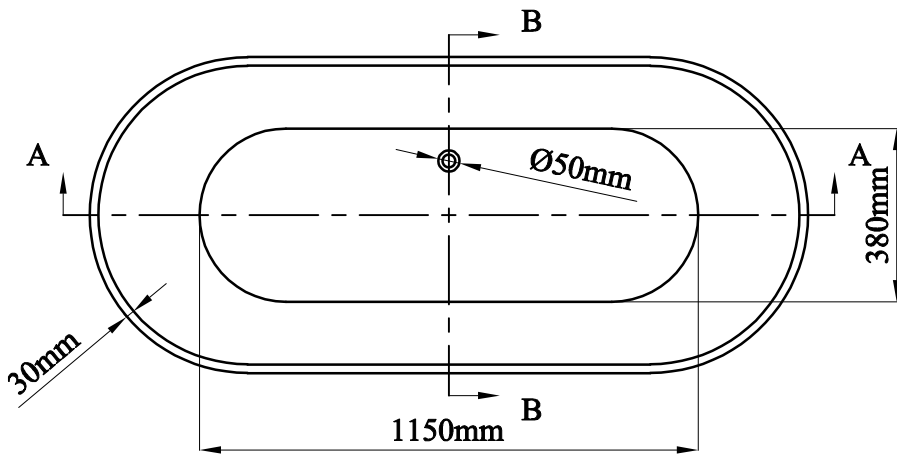
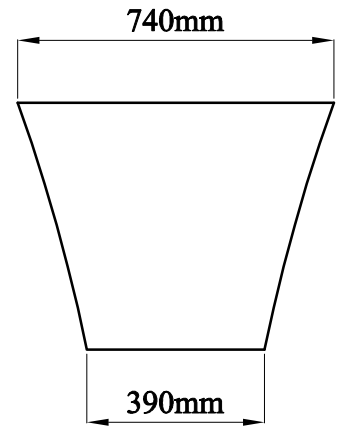
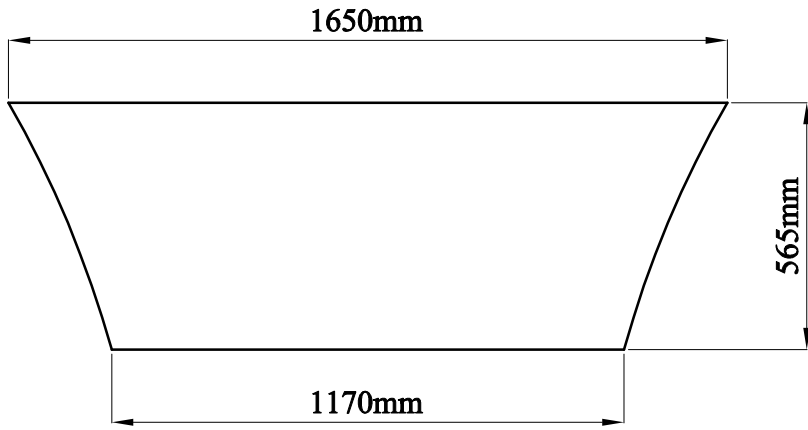


Code: 33.0059

Dimensions: 1650x740x565 mm



SECTION A-A

SECTION B-B

